

WARING COMMERCIAL[®]

Half Gallon Blenders with
Stainless Steel Top Housing

HGBSS

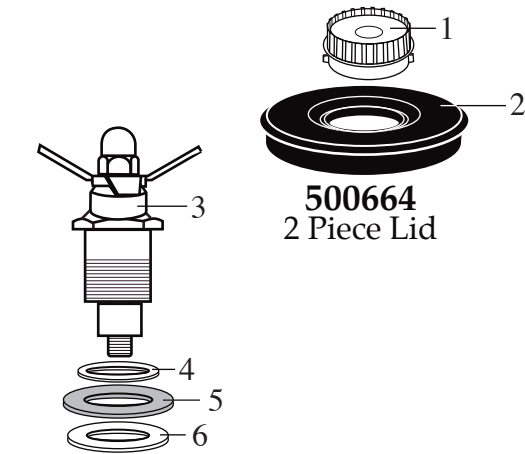
64 oz. stainless steel container

Marked for Deletion

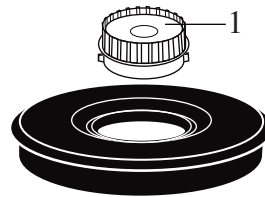
HGBSP (on 10/13/2003)
64 oz. lexan container

HGCSS (on 2/6/2003)
CSA 64 oz. stainless steel container

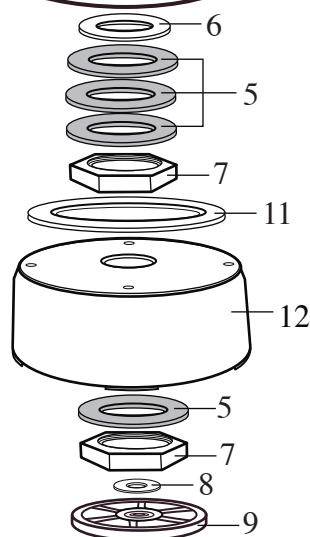
HGQ200 (on 4/4/2002)
quiet blender with 48 oz Eastman container



500664
2 Piece Lid



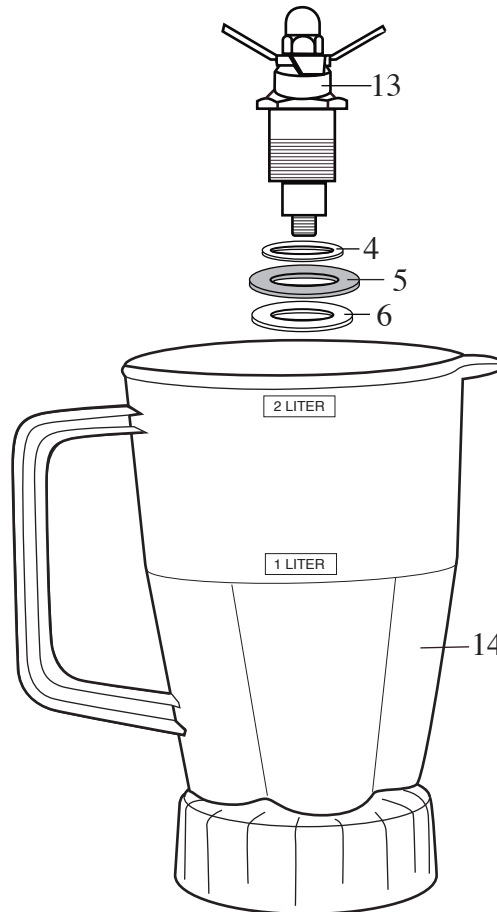
027142
2 Piece Lid



503119 (changed after 5/19/2006)
Blending Assembly

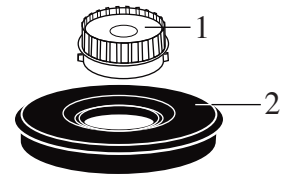
503079 (changed after 5/19/2006)
64 oz. Stainless Steel Container
with Blending Assembly

701402
64 oz. Stainless Steel Container
with Blending Assembly
and Lid

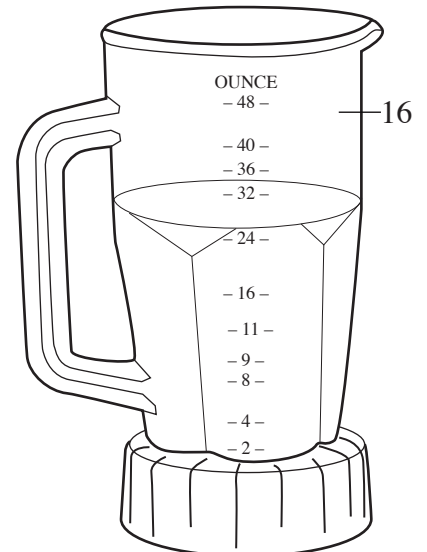
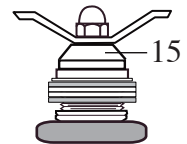


503120 (changed after 7/7/2006)
Blending Assembly Kit

503074 (changed after 7/7/2006)
64 oz. Eastman Container
with Blending Assembly



500664
2 Piece Lid



503154 (changed after 7/13/2007)
48 oz. Eastman Container
with Blending Assembly



Base Unit Components

HGBSS

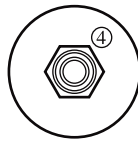
64 oz. stainless steel container

Marked for Deletion

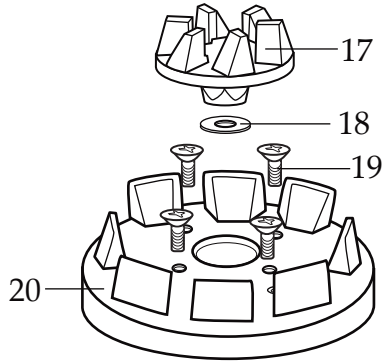
HGBSP (on 10/13/2003)
64 oz. lexan container

HGCCS (on 2/6/2003)
CSA 64 oz. stainless steel container

HGO200 (on 4/4/2002)
quiet blender with 48 oz Eastman container

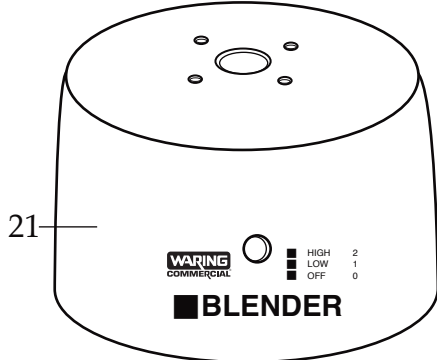


17 Bottom View



025250

Stainless Steel Housing Name Plate
(last used on 8/11/2004)

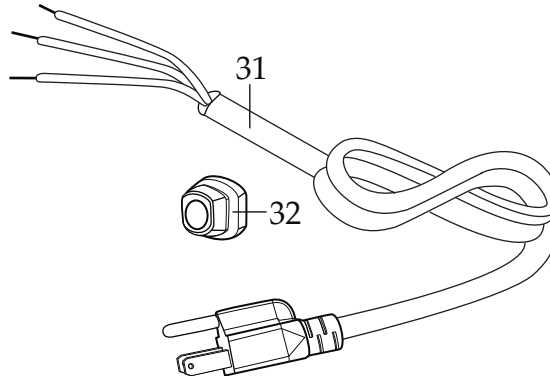
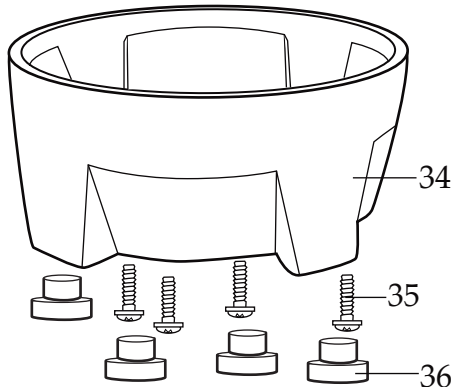
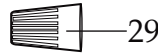
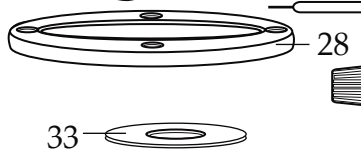
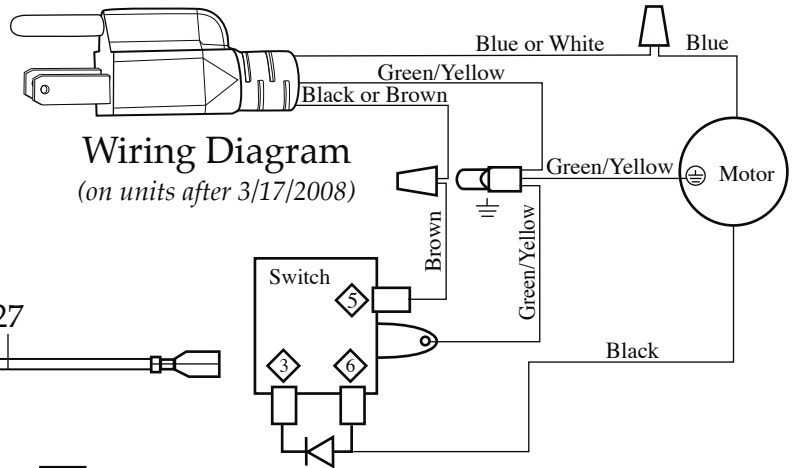
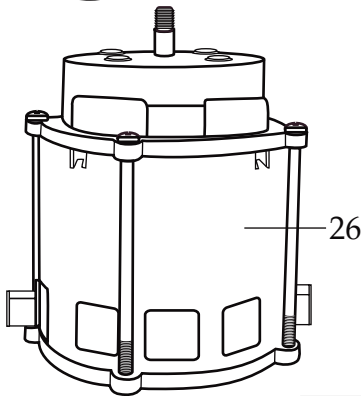
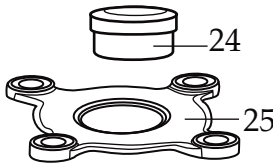
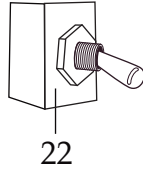


Unit Information	
8.5 Amps - 1 1/2 HP	(on units after 7/12/2006)
7.5 Amps - 1 HP	



033194

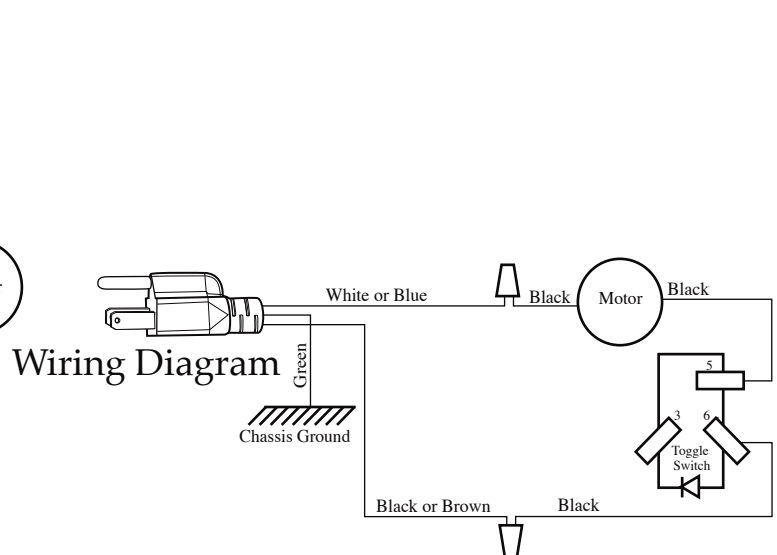
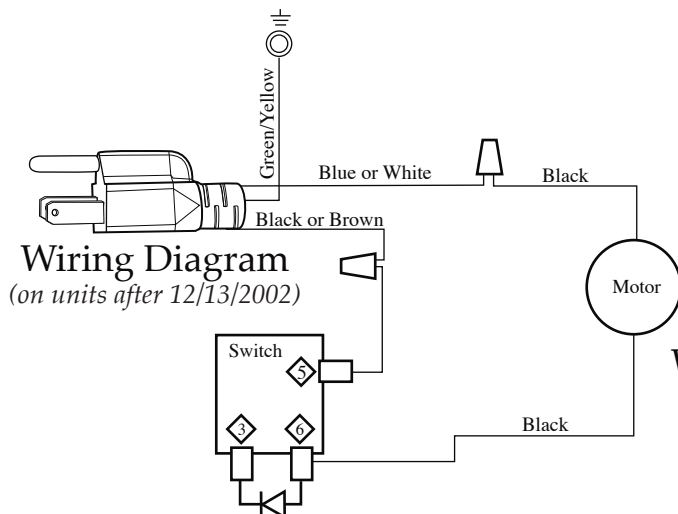
Brush & Spring
(2 required for 029321 motor)



Marked for Deletion

HGBSP 36BL22
HGCSS HGBSSSS6 36BL27
HGQ200 34BL75

Illustration#	Part#	Description
26	029321	Motor <i>(on units after 6/8/2009)</i>
	028156	Motor <i>(on units after 7/12/2006 use 029321)</i>
	025722	Motor <i>(on units after 11/14/2001 use 029321)</i>
	701191	Motor <i>(use 029321)</i>
	701718	HGCSS Motor <i>(use 029321)</i>
	029319	HGQ200 Motor <i>(changed after 6/17/2008)</i>
	025724	HGQ200 Motor <i>(changed after 2/15/2002 use 029319)</i>
	701410	HGQ200 Motor <i>(use 025724)</i>
27	501232	5.5" White Lead <i>(on units after 9/24/2002)</i>
28	025662	Foam Baffle <i>(on units after 11/14/2001)</i>
	013365	Baffle <i>(obsolete)</i>
29	009051	Wire Nut (2 required)
30	012409	Crimp Connector (1 required <i>on units after 3/17/2008</i>)
31	029309	Cord Set <i>(on units after 3/17/2008)</i>
	003565	Cord Set <i>(on units after 9/24/2002)</i>
	501162	Cord Set <i>(on units after 9/9/2002)</i>
	500830	Cord Set
32	012920	Strain Relief <i>(on units after 7/30/2008)</i>
	007556	Strain Relief
33	008324	Gasket
34	028591-X	Textured Bottom Housing <i>(on units after 3/17/2008)</i>
	014012	Bottom Housing
35	017239	Screw (4 required)
36	004090	Foot (4 required)



Catalog **Model**
HGBSS HGBSSSS6 36BL23
(units after 12/4/2001)

Marked for Deletion

HGBSP 36BL22
HGCSS HGBSSSS6 36BL27
HGQ200 34BL75

WARING
COMMERCIAL

314 Ella T. Grasso Ave.
Torrington, CT 06790
Tele. 1-800-269-6640
Fax 860-496-9017

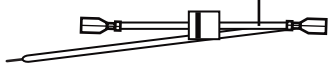
www.waringcommercialproducts.com

Parts No Longer Used

(last used on 9/9/2002)

500455

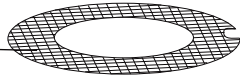
12" Black Lead with Diode-003262



(last used on 3/17/2008)

013963

Bottom Housing Screen



002436

Screw
(2 required)

002943

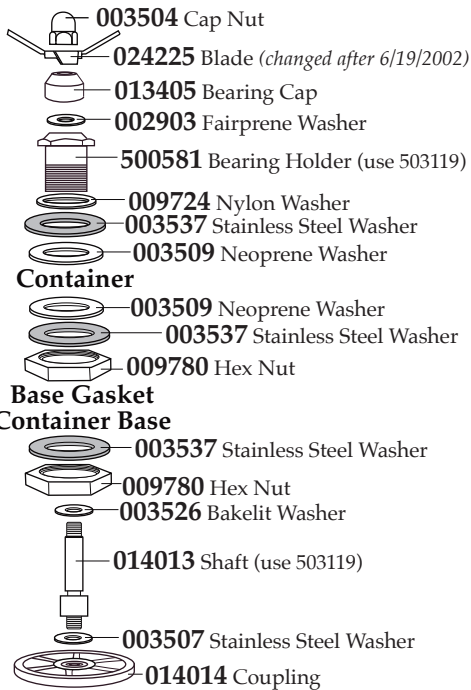
Washer
(2 required)



033194

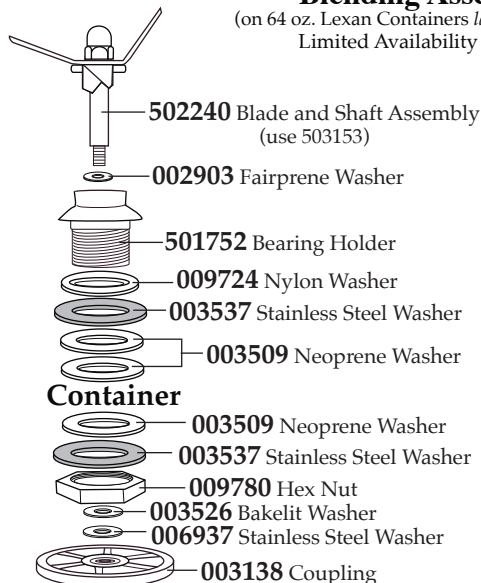
Brush & Spring

(2 required for 029321 motor)



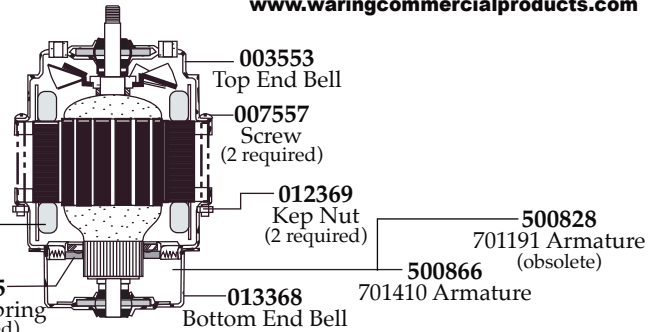
Blending Assembly

(on Stainless Steel Containers last used on 6/14/2006)
Limited Availability on Parts



Blending Assembly

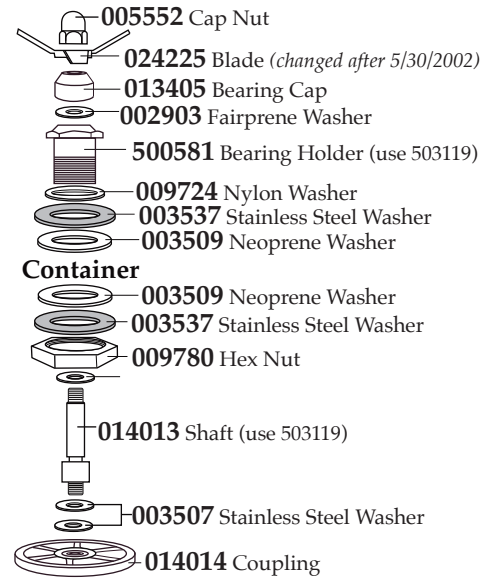
(on 48 oz. Lexan Containers last used on 7/13/2007)
Limited Availability on Parts



701191 Motor & 701718 Motor (use 029321)

701410 Motor (use 029319)

Limited Availability of Parts



Blending Assembly

(on 64 oz. Lexan Containers last used 7/6/2006)
Limited Availability on Parts