

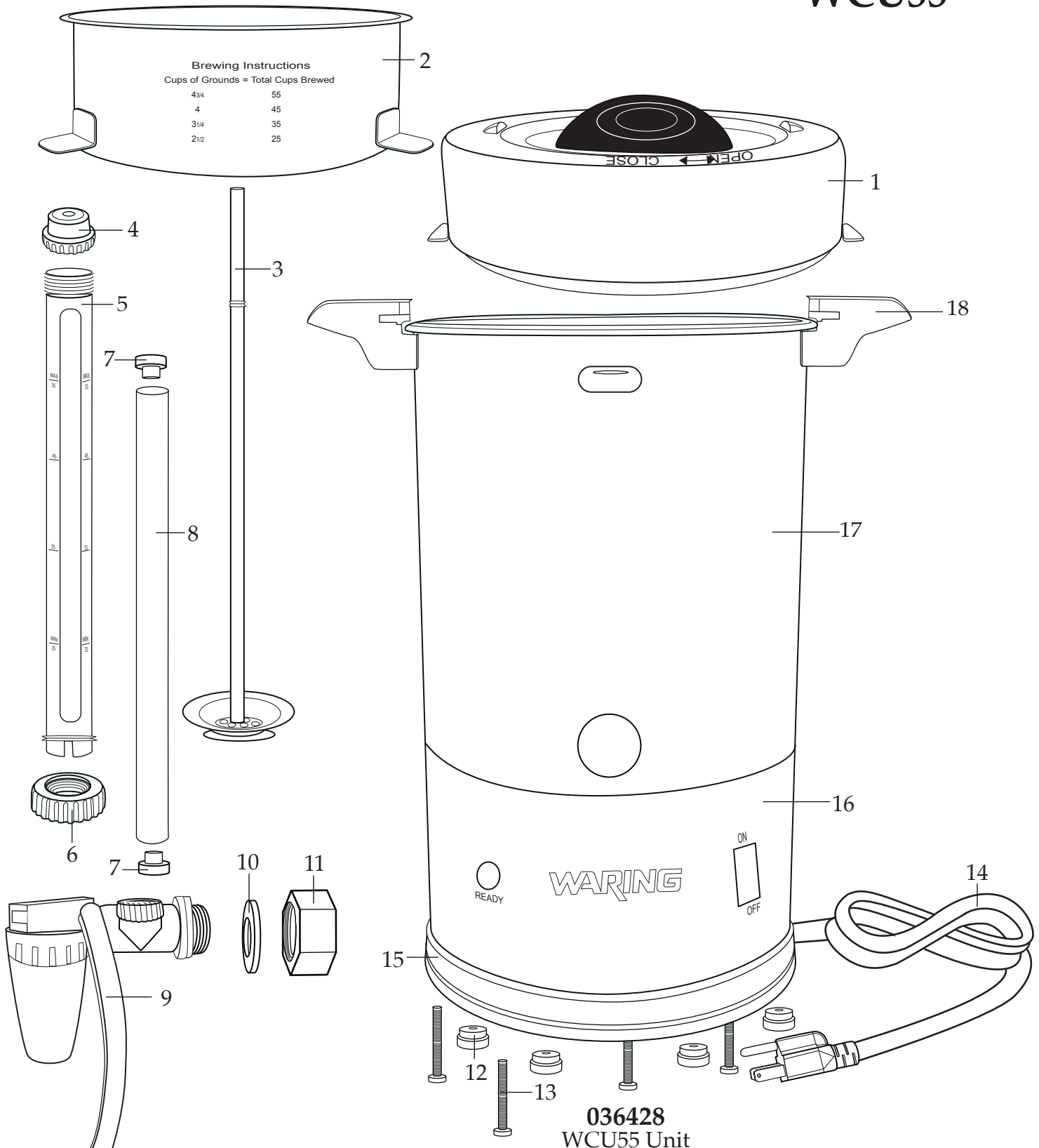
Unit Information

120 volts - 1500 watts

Dual heater system for brewing and keep warm at optimal temperatures

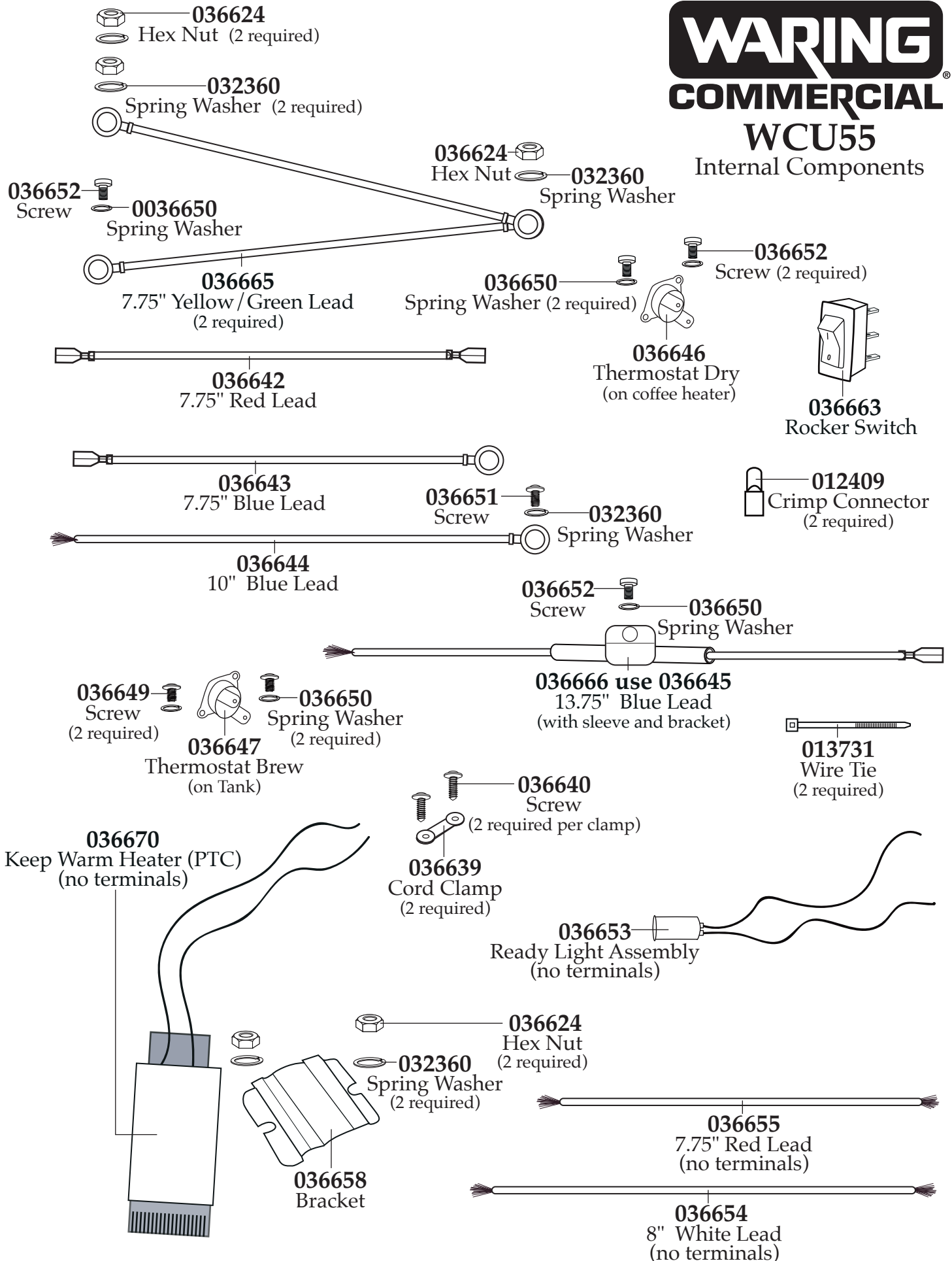
Boil dry protection with auto reset

WARING
COMMERCIAL
 55 Cup Coffee Urn
WCU55



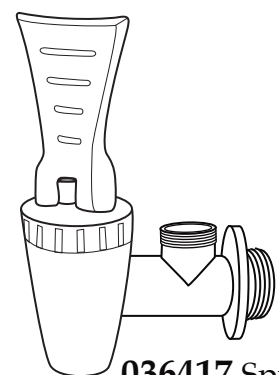
WARING COMMERCIAL WCU55

Internal Components



Illustration#	Part#	Description
1	036423	Cover
2	036424	Coffee Basket
3	036425	Percolator Tube
4	036413	Water Gauge Cover
5	036426	Water Gauge Tube
6	036422	Water Gauge Tube Collar
7	036415	Glass Tube Seal (2 required)
8	036427	Glass Tube
9	036417	Spigot
10	036418	Spigot Seal
11	036419	Spigot Nut
12	036420	Feet (4 required)
13	036635	Screw (3 required)
14	036638	Cord
15	036667	Tank Base
16	036668	Tank Skirt
17	036669	Tank (comes with coffee heater, handles and sight glass bracket)
18	039020	Handle (2 required)

Note: Use Thermal Grease with Thermostat (dry),
Thermostat (brew) and Keep Warm Heater.



036417 Spigot
(old style)