

WARING**WCM60PT***Café* **DECO****Thermal Coffee Brewer***Café* **DECO** Thermal Coffee Brewer

Carafes not included.

MAIN FEATURES

- Brews over 3.9 gallons per hour (62, 8 oz.cups per hour)
- High-end industrial design
- Upper warming surface with guardrails
- Stainless steel construction
- Ready and Power lights
- Fits large, 64 oz. thermal carafes
- Built-in, pour-over and automatic refill features
- Push-button brew start
- Separate hot water faucet for tea, soup and other hot drinks
- Includes 25 piece coffee filter starter pack (9¾" x 4¼")
- Two-Year Parts and One-Year Labor Warranty

ELECTRICAL

Voltage: 120

Frequency: 60Hz

Watts: 1,660

Amps: 13.8

Plug Type: NEMA 5-15P ⓘ

Cord Length: 6 feet

**SALES FEATURES**

Satisfy high demand for fresh-brewed coffee with this high-performance commercial kitchen essential. Designed with a built-in, quick-fill pour-over feature and an easy-draw hot water faucet for soup and drinks, this plumbed unit offers the speed and efficiency today's busy foodservice operations need. A touch of a button brews coffee to perfection in minutes. Ideal for use with thermal carafes to keep coffee hot and ready to serve for extended periods of time.



@waringproducts

©2025 Waring

314 Ella T. Grasso Avenue, Torrington, CT 06790
Tel. 800-492-7464 • Fax 860-496-9008**waring.com****WCM60PT**



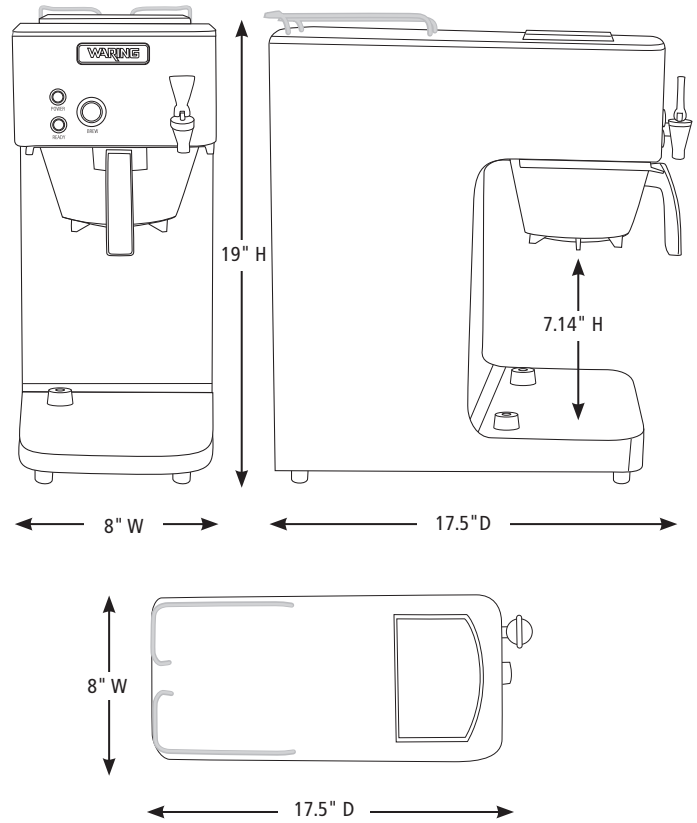
Café DECO Thermal Coffee Brewer
WCM60PT

OPTIONAL ACCESSORIES



WTC64 64-oz. Stainless Steel Thermal Carafe

DIMENSIONS



Out of Box Weight: 18 lb.

ORDERING INFORMATION	#STD. PKG.	GIFTBOX WEIGHT	CUBIC FEET	BOX DIMENSIONS D X W X H	UPC	CASE PKG.	MC WEIGHT	MC DIMENSIONS D X W X H	MBC
WCM60PT – Thermal Coffee Brewer	1	22	3.06	22.875" x 10.25" x 21"	040072089787	1	25.19	23.5" x 11" x 22"	10040072089184



@waringproducts

©2025 Waring
314 Ella T. Grasso Avenue, Torrington, CT 06790
Tel. 800-492-7464 • Fax 860-496-9008

waring.com

25WC95841 / REV 07/25